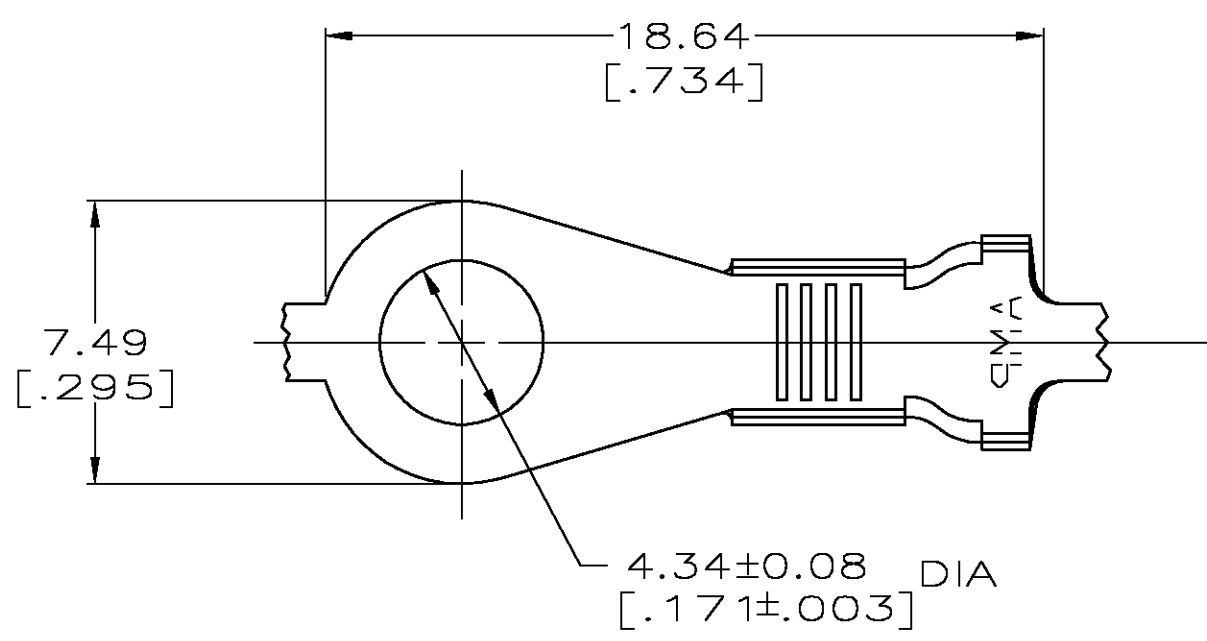
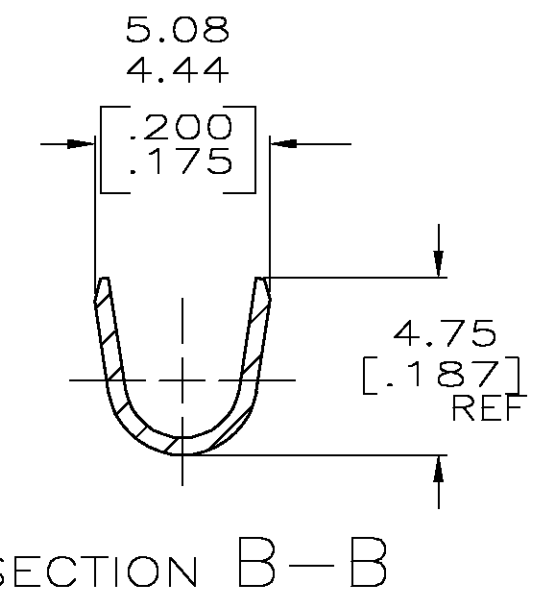
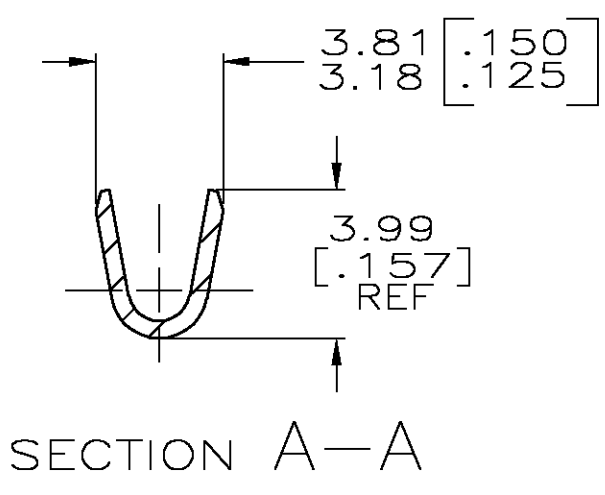
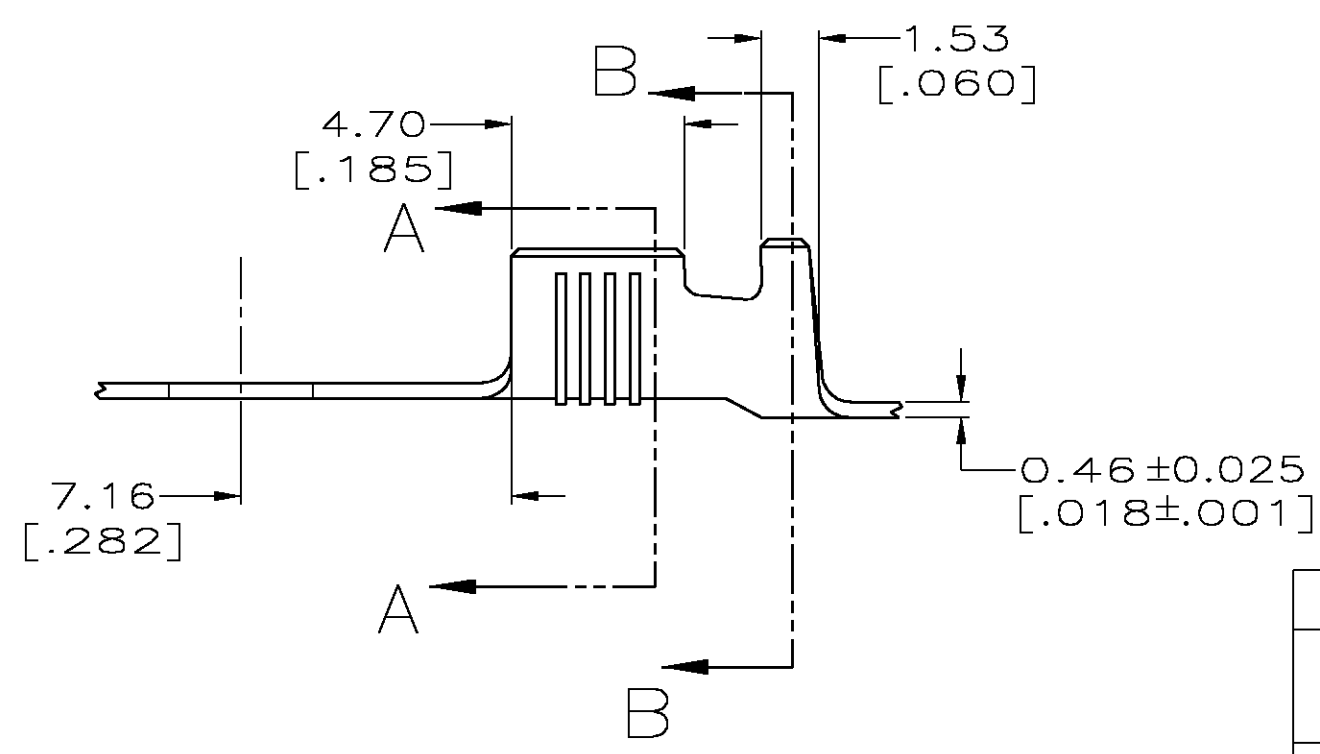


THIS DRAWING IS UNPUBLISHED. RELEASED FOR PUBLICATION .19  
 © COPYRIGHT 19 BY AMP INCORPORATED. ALL RIGHTS RESERVED.

LOC	DIST	REVISIONS			
P	LTR	DESCRIPTION	DATE	DWN	APVD
AF	50	H	REV PER 0G3A-0174-04	12MAR04	JR DD



- 1 CONTINUOUS STRIP ON REELS.
- 2 WIRE SIZE IS [#18-#14] AWG.
- 3 INSULATION RANGE IS 2.54-3.56 [.100-.140] DIA.
- 4 STUD SIZE IS M4 [#8].



WITH PAPER	-	60771-3
WITHOUT PAPER	TIN	60771-2
	-	60771-1
REELING REMARKS	FINISH	PART NO.

THIS DRAWING IS A CONTROLLED DOCUMENT.		DWN JR RUTH 21JUL99	<b>AMP</b> AMP Incorporated Harrisburg, PA 17105-3608	
DIMENSIONS: MM [INCHES]		CHK MS FEHER 21JUL99		
TOLERANCES UNLESS OTHERWISE SPECIFIED:		APVD D DECKER 21JUL99	NAME <b>RING</b>	
0 PLC ±-		PRODUCT SPEC	SIZE	
1 PLC ±-		APPLICATION SPEC	CAGE CODE	
2 PLC ±0.38 [.015]		WEIGHT	DRAWING NO	
3 PLC ±-		CUSTOMER DRAWING	A300779	
4 PLC ±-			C- 60771	
ANGLES ±-		SCALE	SHEET	REV
FINISH SEE TABLE		5:1	1 OF 1	H